



# **ABTRION STRIKE OWA**

---

**TECHNICAL SPECIFICATIONS**

The Abtrion Strike OWA is a highly effective, low-cost, autonomous one-way attack drone designed for medium-range, top-down precision strikes against enemy military combat support and combat service support units at the rear of the battlefield. To minimize the risk of exposure to enemy electronic warfare (EW) measures, the Abtrion Strike is designed as a fire-and-forget capability, requiring no human intervention after activation.

Relying on visual and dead reckoning navigation, along with state-of-the-art AI-enabled target recognition, the Abtrion Strike OWA autonomously carries out precision attacks on operator-designated targets. It is capable of operating in blackout conditions and GPS-denied environments. It can be configured with different types of warheads, allowing for a payload of up to 5 kg of explosives, depending on the desired range and loitering time.

---

### OPERATIONAL CAPABILITIES

#### *Autonomous Navigation & Targeting:*

Once deployed, the drone navigates autonomously to the designated target area. It continuously scans for potential targets based on the pre-programmed priority list.

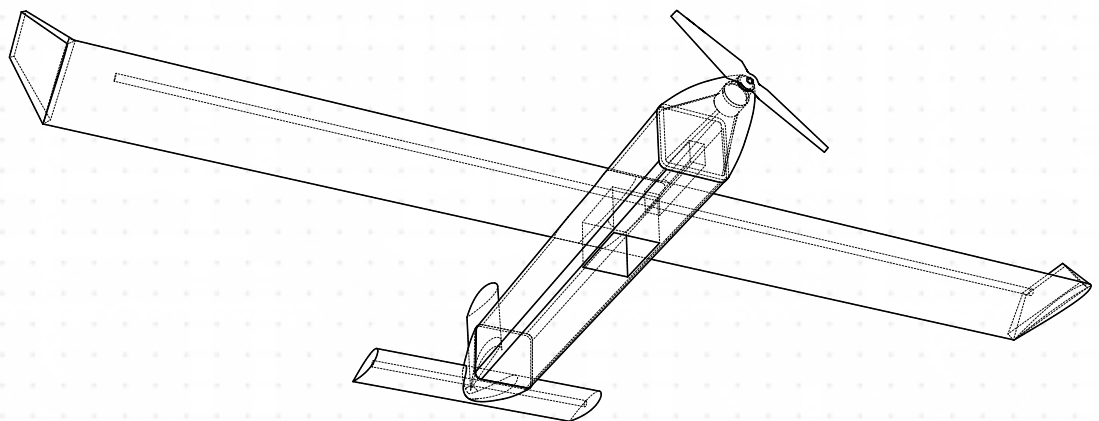
- Upon target detection, the drone executes a precision top-down attack.
- If it reaches a critical power level without identifying a target, it initiates an in-flight self-destruct sequence to prevent enemy recovery.

#### *Range Performance:*

- 50 km range with a 5 kg payload
- 100 km range with a 2 kg payload

**Speed:** 60 km/h

**Loitering time:** 60 min/5 kg





## GENERAL SPECIFICATIONS

abtrion.com

### **Dimensions & Weight:**

- Wingspan: 2.4 meters
- Total Weight: 12 kg (including payload)
- Dry Weight: 7-10 kg (depending on the desired range)
- Payload Capacity: 2–5 kg explosives

**Motor:** Electric

**Sensors:** Optical

### **Launch Methods:**

The drone is deployed using either a ramp or a dolly system, ensuring rapid and secure launch under difficult field conditions.

### **Mission Programming:**

Prior to launch, the mission is programmed via an on-site laptop interface. Key parameters include:

- Start Position (Latitude/Longitude)
- Desired Flight Altitude
- Target Area: Defined by four coordinate points (lat/lon)
- Prioritized Target List consisting of designated, specified objects, including enemy tanks, artillery systems, air defense radars, and mobile EW systems

